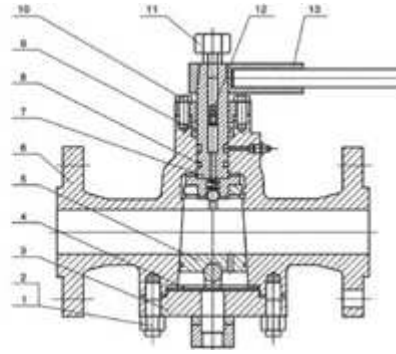




INVERTED PRESSURE BALANCE LUBRICATED PLUG VALVE



Features:

INVERTED PRESSURE BALANCE LUBRICATED PLUG VALVE

Bolt cover,structure of flip-chip balanceable pressure and light on/off operation.An oil groove is set between valve body and seal surface,which may infuse the seal grease to increase the seal capability.

Standards Compliance

Design and Manufacture: API 599, API 6D

Face to face(end to end): ANSI B 16.10

Flanged connection: ANSI B16.5

Butt welded end: ANSI B16.25

Test and inspection: API 598, API 6D

Main Parts Materials

NO.	Part name	Material				
		A216 WCB	A351 CF8	A351 CF8M	A351 CF3	A351 CF3M
1,2	Body/Nut	A193 B7/A194 2H	A193 B8/A194 8	A193 B8M	A194 8M	



3	Cover	A216 WCB	A351 CF8	A351 CF8M		
4	Gasket	Flexible graphite+stainless steel/PTFE				
5	Plug	A182 F304	A351 CF8	A351 CF8M	A351 CF3	A351 CF3M
6	Body	A216 WCB	A351 CF8	A341 CF8M	A182 F304L	A351 CF3M
7	stem	A182 F410	A182 F304	A182 F316	A182 F304L	A351 CF3M
8	O ring	NBR/FEP/SBR				
9	Packing	Flexible graphite/PTFE				
10	Gland	A216 WCB	A351 CF8	A351 CF8M		
11,12	Oichozzle/check valve	Material see body				
13	Wrench	ASTM A47-32510 A216 WCB				

INVERTED PRESSURE BALANCE LUBRICATED PLUG VALVE

Dimensions																
Class 150Lb																
Size	inch	1/2	3/4	1	1-1/4	1-1/2	2	2-1/2	3	4	5	6	8	10	12	14
L-RF	mm	108	117	127	140	165	178	190	203	229	254	267	292	330	356	381
H	mm	180	180	185	200	210	215	250	270	300	340	365	400	450	510	590
W	mm	400	400	500	500	600	600	820	820	300	300	320	320	350	380	380
Weight	Kg	10	12	14	17	19	21	29	33	48	75	98	125	171	230	370

Dimensions																
Class 300Lb																
Size	inch	1/2	3/4	1	1-1/4	1-1/2	2	2-1/2	3	4	5	6	8	10	12	14
L-RF,BW	mm	140	152	165	178	190	216	241	283	305	381	403	419	457	502	762
H	mm	180	180	185	200	210	215	250	270	300	340	365	400	450	510	590
W	mm	400	400	500	500	600	600	820	820	300	300	320	320	350	380	380
Weight	Kg	12	14	16	19	21	24	31	36	61	86	130	190	225	380	560



Dimensions																
Class 600Lb																
Size	inch	1/2	3/4	1	1-1/4	1-1/2	2	2-1/2	3	4	5	6	8	10	12	14
L-RF,BW	mm	165	190	216	229	241	292	330	356	432	508	559	660	787	838	889
H	mm	180	180	185	200	210	215	250	270	300	340	365	400	450	510	590
W	mm	400	400	500	500	600	600	820	820	300	300	320	320	350	380	380
Weight	Kg	14	16	18	20	24	29	35	47	91	129	210	320	660	920	1250

Dimensions																
Class 900Lb																
Size	inch	1/2	3/4	1	1-1/4	1-1/2	2	2-1/2	3	4	5	6	8	10	12	14
L-RF,BW	mm	229	229	254	279	305	368	419	381	457	559	610	737	838	965	1029
H	mm	180	180	185	200	210	215	250	270	300	340	365	400	450	510	590
W	mm	400	400	500	500	600	600	820	820	300	300	320	320	350	380	380
Weight	Kg	17	19	21	24	30	37	44	65	110	160	255	380	810	1050	1460

4" or above with worm gear